

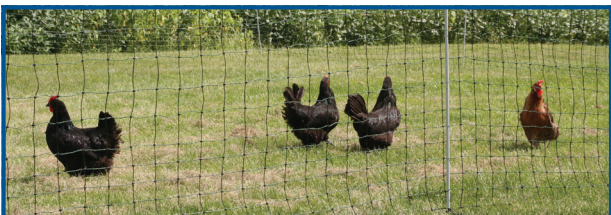


Important Anti-Rabbit Netting Points

If protecting crops or gardens, it is necessary to clear a 12" wide strip of ground to erect the fence. The fence is likely to be in a semi-permanent position for 6 months or longer, and bare or closed cropped grass will reduce potential shorting problems. Also, spray along the fence periodically with weed killer to maintain good fencing conditions.

Wherever possible, erect the fence a week before the emergence of seedlings. This is important because rabbits take that length of time to stay clear. During the learning period, they may get through. Long-term tests have proven electric nets to be 85% to 95% effective against this pest, regardless of the spacing.

It is vital to have power in reserve, as rabbits need a much higher shock than farm or domestic animals. The fence must have at least 3,000v on the voltage tester at the farthest point from the energizer. Holding a piece of grass against the fence is ineffective because it does not tell if the voltage is adequate. If a rabbit burrows within the area to be fenced, the rabbits must be removed.



Poultry

Poultry are insulated by their feathers and will only receive a shock if the comb touches a live wire. When making a fox-proof enclosure, set the fence at least 3" away from any fence or wall.

Troubleshooting

First, use a voltage tester to test the voltage output on the net. To determine where the problem lies, disconnect the insulated energizer power lead from the fence and hold it away from the ground rod and turn it on. If the energizer is functioning, a spark will appear or it will register high on the tester.

If the battery is functioning properly, the pulse rate of the energizer will be between 50 and 60 pulses-per-minute. DO NOT let the battery go dead.

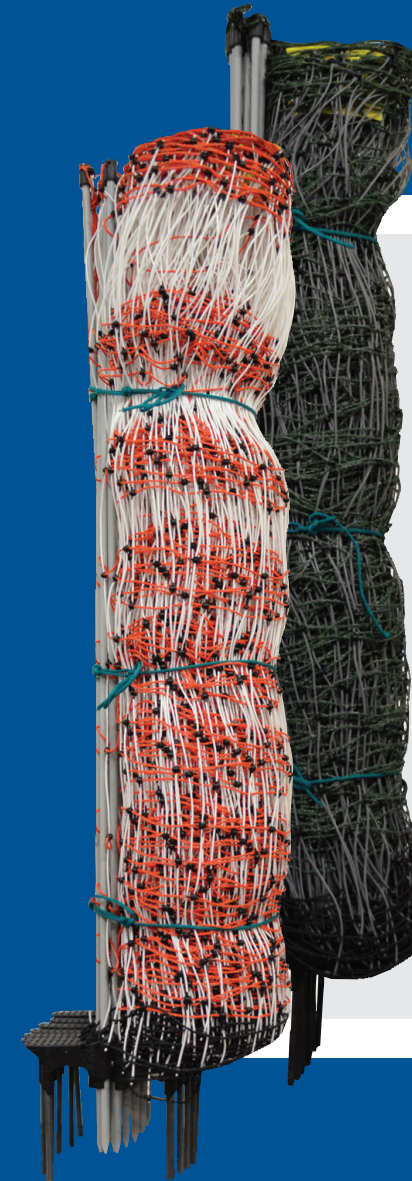
If the fence is not working or not electrifying properly, check each of the following until the problem is corrected.

Energizer

- Check voltage on energizer with net disconnected
- Make sure the fence is connected properly
- Make sure the battery is fully charged
- Check for proper grounding
- Check for faults
- Be sure the charger is capable of electrifying the number of nets connected to it (min of .25 joule per net; i.e. 4 nets connected together need a 1 joule energizer)

Fence

- Check for joined connectors to transfer current from fence to fence
- Check metal spike on step-in posts to ensure there is no contact with electric wire strands
- Clear or remove excessive vegetation on fence



ELECTRIC NETTING INSTRUCTION MANUAL

 **WARNING:**

Cancer and reproductive harm. www.P65Warnings.ca.gov

General Installation



1 Clear the fence line of foliage or other material that will drain energy from the net (ex. tall grass/weeds and tree limbs).



2 While holding all posts together, untie the green strings (do not remove them) and drop the posts away to create the fence line.



3 When installing the post, the step-in part of the post should be placed at a 90° angle to the net. Once all posts are installed tie the first post to the last post with the green strings.



4 To electrify, install a ground rod and use jumper clips to connect the net to an energizer (low impedance, minimum .25 joule per net) or to an existing electric fence.

How to Dismantle Electric Netting



Untie the end posts and pull up remaining posts, laying each section of netting flat on the ground. Retrieve each section of net one at a time. Hold the posts together and keep the netting in folds.



With the folds on the ground, roll the netting toward the posts and re-tie the bundle with the green strings.

To avoid tangling - roll only as directed

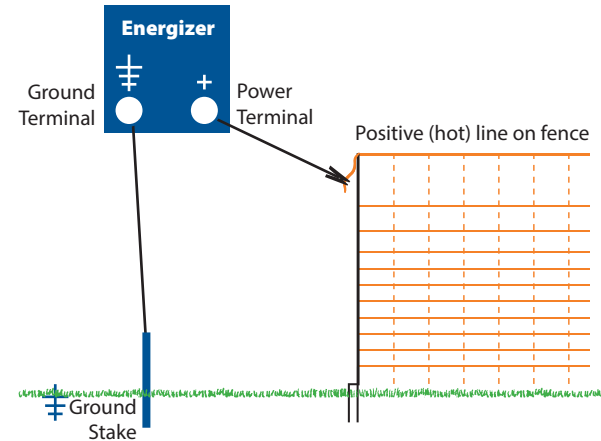
CAUTION Turn OFF the energizer before dismantling electric netting!

1

System Installation

Normal Rainfall Areas (all lines electrified)

To electrify all horizontal lines, connect jumper from power terminal of energizer to the clip on the green or orange bundle. Connect ground stake to ground terminal on energizer.



Attaching Additional Rolls

To join a second roll, repeat steps 1-3 (tie the first post of the additional net to the last post of the already installed net). Insert the post with the strings next to the last post of the first fence and tie together. Connect the stainless steel clips together. This is the only electrical connection from fence to fence and automatically electrifies all lines in the net. Any post along the line can be a corner post for directional changes.

If erecting the net in a rectangular shape, it may be necessary to add extra support posts for additional support. When using a standard net (all wires energized), any excess can be folded back against itself. When using a positive/negative net, any excess should be erected but not doubled along itself.



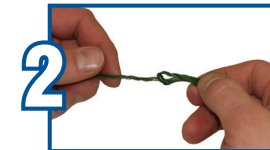
If connecting net to an existing energized fence, do not allow connection clips or any part of the net to contact the existing fence until set up is complete. If using electric netting as a stand-alone system, position the first post where you want to enter the enclosure.

Repairing Damaged Net

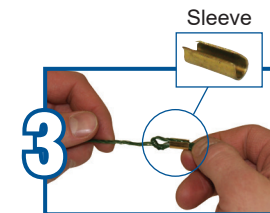
Before making repairs, turn off all power to the fence.



1 Tie ends of broken twine into a secure knot. If repairing a long section, use twine provided in repair kit.



2 After twine ends have been tied into a secure knot, move both ends to one side.



3 Place sleeve over both ends of the twine.



4 With a pair of pliers, crimp one end of the sleeve over both pieces of twine.



5 Fold other end over the first crimp, overlapping both sections. Crimp again so the twine is secure.



6 With scissors, trim excess twine for a clean repair.

If making a repair over a vertical stay, weave the connecting twine over and under the black plastic joint.

2