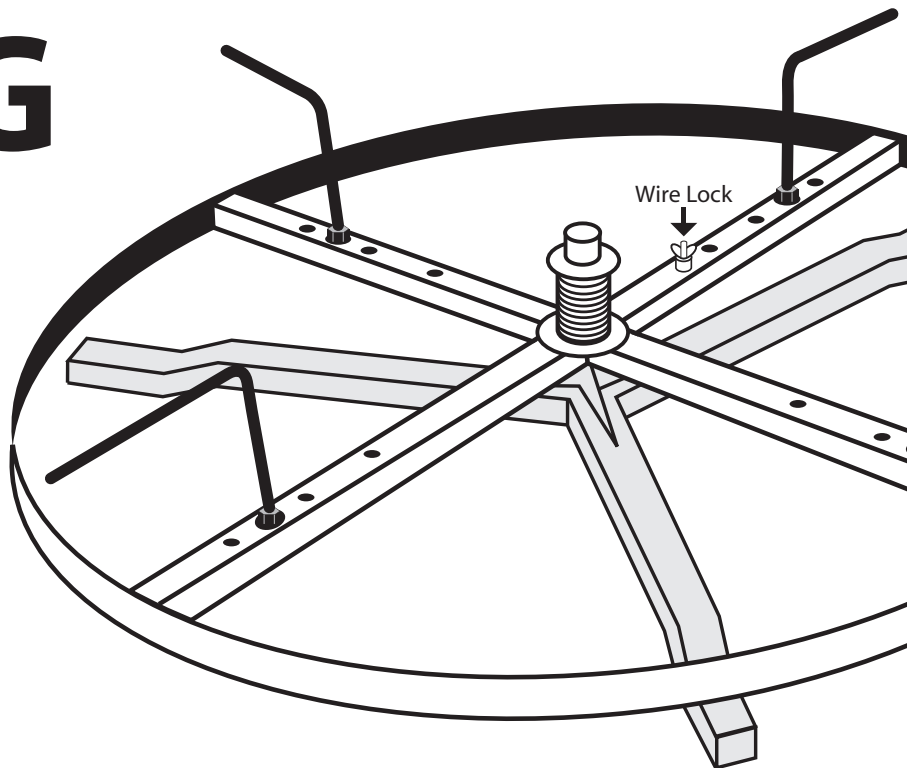


# SPINNING JENNY

## INSTRUCTIONS (TSJHH)

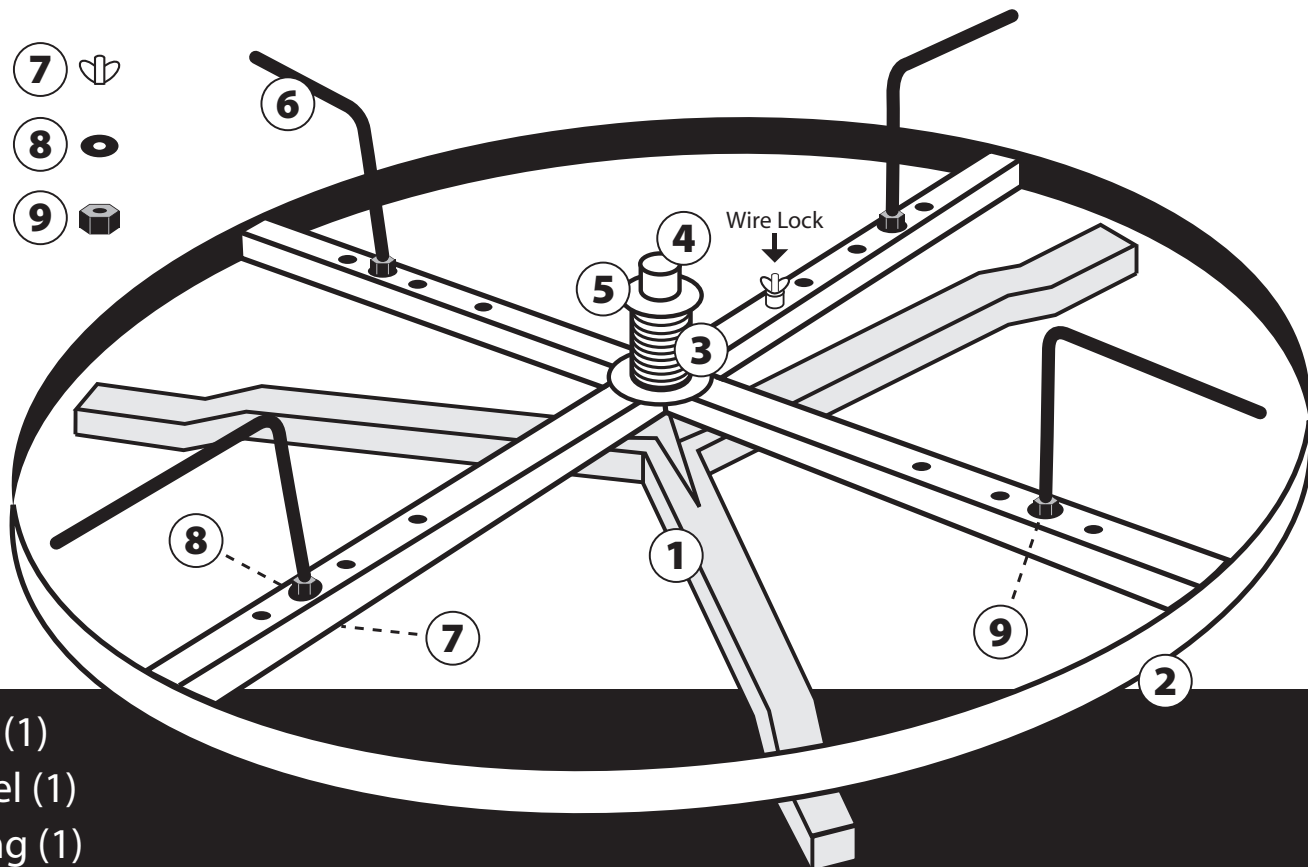
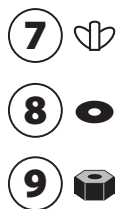
- 1) With base on ground, place wheel onto the base, flat side down (wing bolt should be facing up).
- 2) Place spring onto center pin, followed by the 19mm washer and 19mm nylon nut.
- 3) Adjust nylon nut to desired tension.
- 4) Install each of the four arms with a 10mm hex nut, two 10mm washers, and wing nut.
- 5) Place wire coil onto jenny (adjust arm locations if necessary). Locate wire and on the inside of the coil, insert and secure the wire end into the wire lock.



## BOX CONTENTS

- |                    |                    |
|--------------------|--------------------|
| 1 - Base           | 4 - Arms           |
| 1 - Wheel          | 5 - 10mm Wing Nuts |
| 1 - Spring         | 9 - 10mm Washers   |
| 1 - 19mm Nylon Nut | 4 - 10mm Hex Nuts  |
| 1 - 19mm Washer    |                    |

# THRSI



1 - Base (1)

2 - Wheel (1)

3 - Spring (1)

4 - 19mm Nylon Nut (1)

5 - 19mm Washer (1)

6 - Arms (4)

7 - 10mm Wing Nuts (5)

8 - 10mm Washers (9)

9 - 10mm Hex Nuts (4)